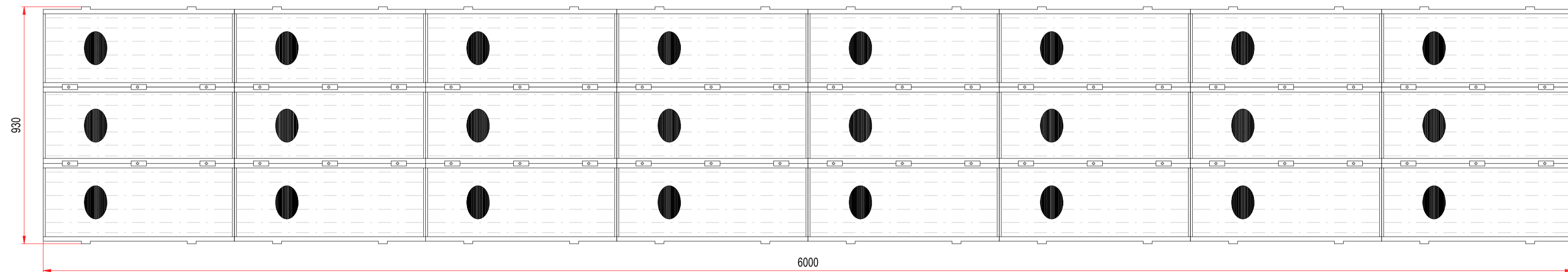
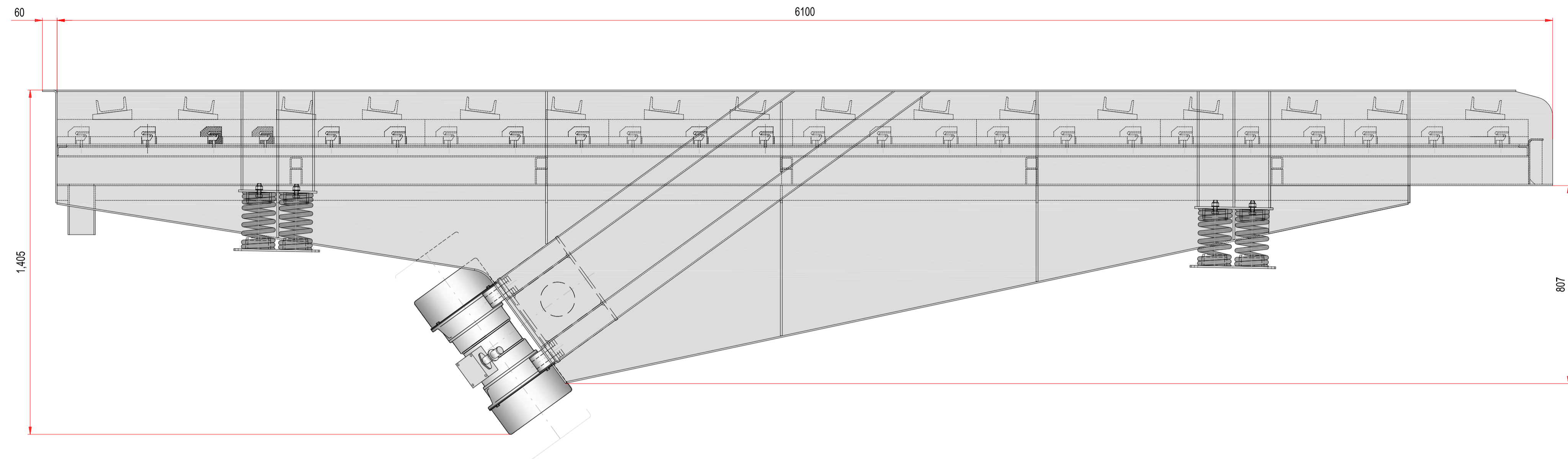
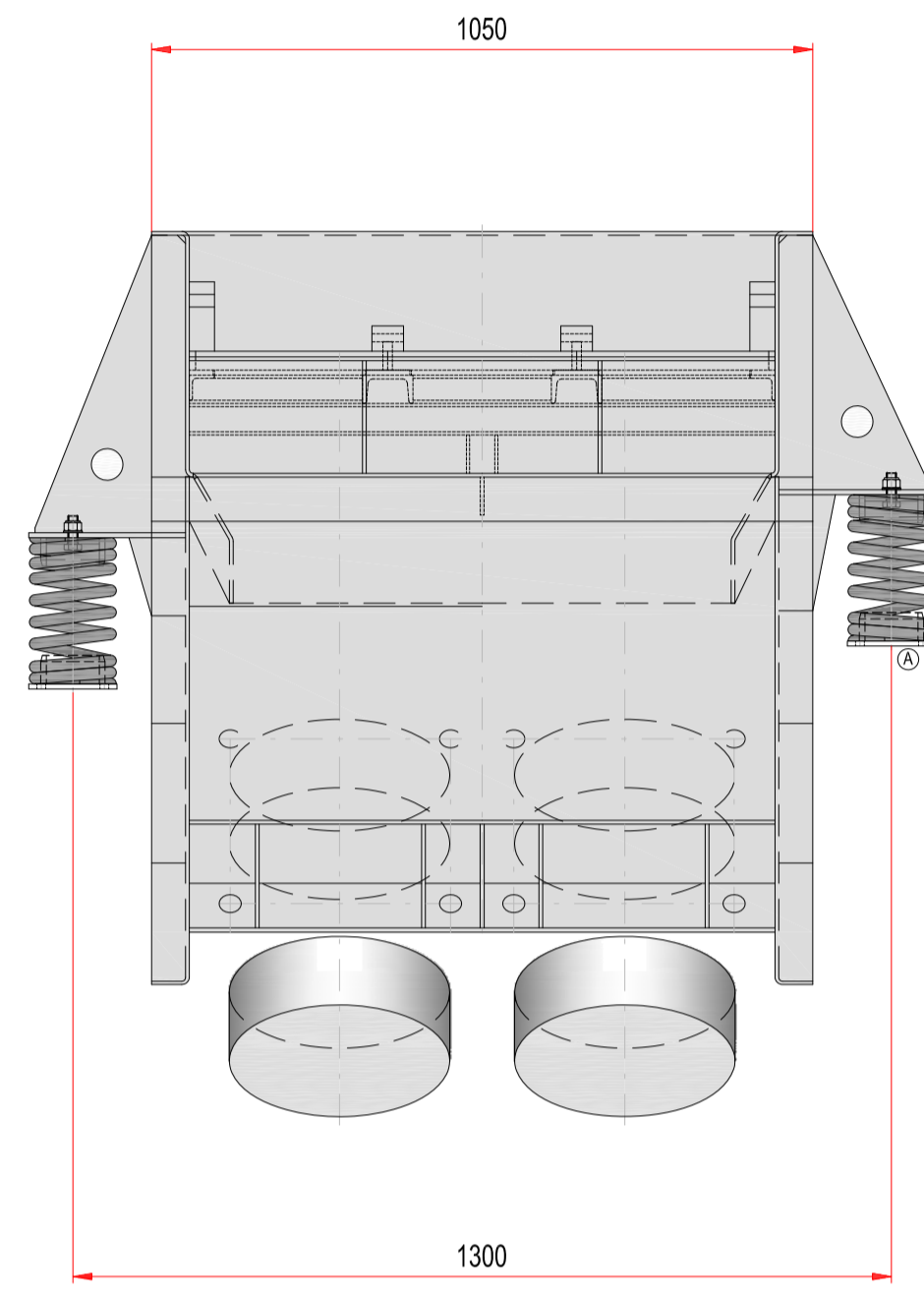
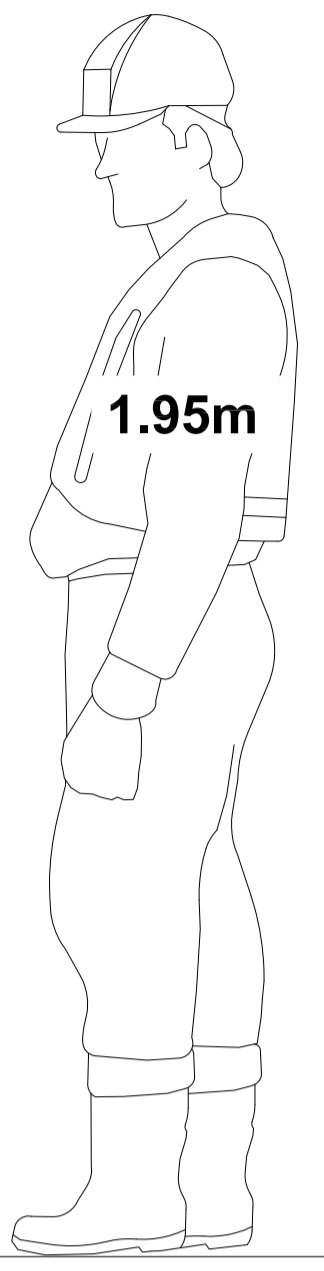


Do Not Scale - If in Doubt Ask



Rev	Date	By	Description
Drawn by	Checked by	Date	Scale
Client			
Drawing Title			
<b>Gaparator Vibrating Screen Machine</b> <b>Model LA 100.060</b>			
<small>Please note:- This drawing is the sole property of Gap Technology Limited and has been prepared and issued in the condition it must not be copied, reproduced or disclosed, in full or in part, to any third party member without the prior written consent of Gap Technology Limited</small>			
Drawing No.	Revision	Sheet	
GAP-0465	-	A1	