





GAP GROUP
INTERNATIONAL

Rotary Drum Screen Internally Fed Type (IRS)



Operating principles:

The IRS unit is an internally-fed rotary drum screen that can be manufactured with drums made of wedge wire, perforated plates and woven mesh for fine filtration. Effluent enters through the inlet and flows into a distribution box that spreads the flow evenly onto two sides of the drum. As the effluent spreads inside the rotating screen, solids are caught inside the cylinder and fluid passes through the screen into the outlet and to further treatment. Screws inside the drum move the solids along the length of the screen towards the discharge chute. These units can be equipped with a combination of spray bars and brushes to clean the screen.

Applications:

Our screens are operated in industries on a global basis. For example:

- ▶ **environmental protection**
 - municipal wastewater treatment plants as initial screeners, and initial sludge thickeners
 - initial filtration for surface water
- ▶ **industrial and municipal applications**
 - industrial waste water treatment facilities recycling
 - water filtration after wash systems
 - injection moulding equipment cooling water filtration
 - final filtration of sewage before discharge
- ▶ **meat and poultry for mechanical**
 - pretreatment of slaughter waste
 - pretreatment of offal wash water
 - water filtration from poultry processing
 - treatment of water from container and vehicle washing
 - brine filtration
- ▶ **fishery**
 - process water treatment
 - continuous water filtration from fishery farms
- ▶ **sugar manufacturing**
 - treatment of hydro-transportation water
 - stone, gravel and sand separation
 - sugar juice filtration
- ▶ **food**
 - fruit and vegetable processing plant wash water treatment
 - mechanical process water treatment

Technical Specifications:

Drums for this unit can be manufactured from

- wedge wire 0.1 to 10 mm
- woven wire mesh starting at 50µm
- perforated plate starting @ 1.00mm

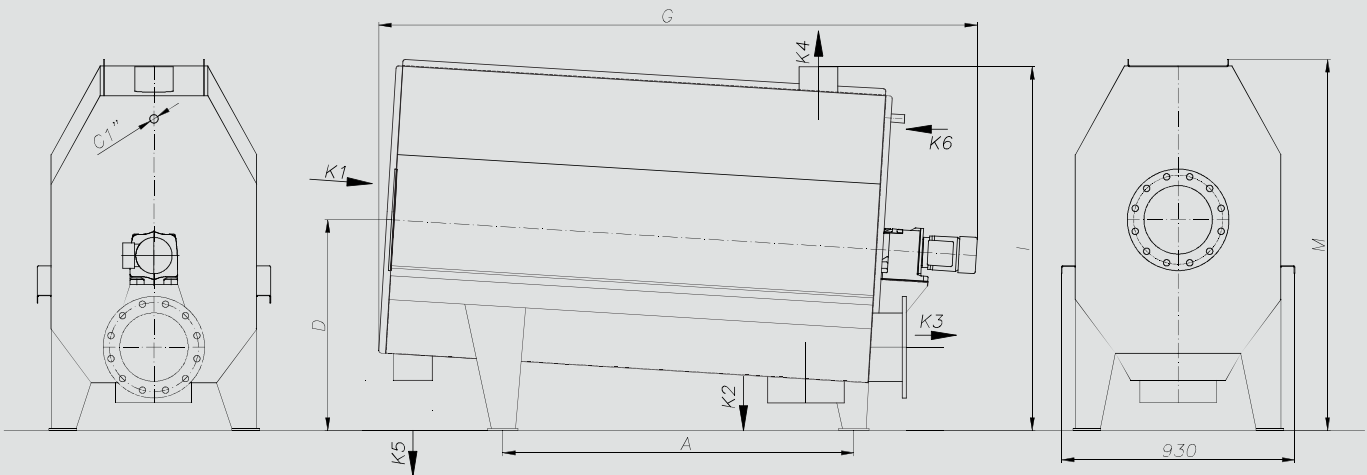
We are always on hand to help you choose the right equipment for your requirements.

- mechanical waste water treatment
- continuous treatment of hydro-transport water
- ▶ **brewery**
 - mechanical filtration of beer fermenters wash water
 - sewage treatment
- ▶ **industrial laundry**
 - technological water filtration / treatment
- ▶ **building materials**
 - process water filtration treatment
 - fine filtration for system protection
- ▶ **mining**
 - ore pretreatment after mills and before flotation



Rotary Drum Screen Internally Fed Type (IRS)

1. IRS 600



Each connection locations and sizes can be modified to suit each customer's individual requirements.

Dimension	A	D	G	I	M
IRS 6-127	1100	820	~2200	1400	~1450
IRS 6-157	1400	840	~2500	1450	~1500

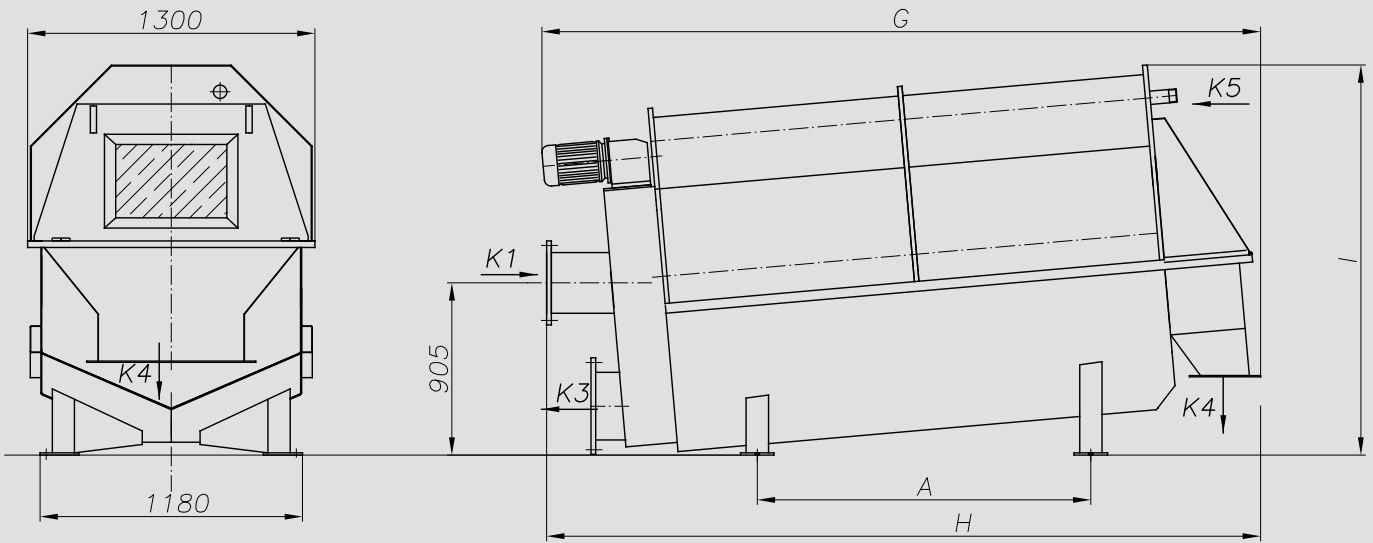
Basic dimensions for IRS 600			
Position	Purpose	Dimension	
		IRS 6-127	IRS 6-157
K1	Inlet	DN200PN16	DN250PN16
K2	Outlet	ø204x2	ø304x2
K3	Overflow	DN150PN16	DN250PN16
K4	Vent	ø154x2	
K5	Solids Outlet	155x380	
K6	Wash Installation	G1"	

Approximate capacities for water with impurity content of no more than 200mg/l at a given slot.

		Slot s = ___ [mm]					
Type	Capacity [m ³ /h]	0.25	0.5	0.75	1.0	1.5	2.0
IRS 600							
1270		50	105	140	170	200	225
1570		65	125	165	205	240	260

Rotary Drum Screen Internally Fed Type (IRS)

2. IRS 900



Dimension	A	G	H	I
IRS 9-150	1000	~2730	2750	1850
IRS 9-200	1500	~3240	3210	1885
IRS 9-250	1900	~3620	3710	1900



Basic dimensions for IRS 900				
Position	Purpose	Dimension		
		IRS 9-150	IRS 9-200	IRS 9-250
K1	Inlet	DN200PN10	DN250PN10	DN250PN10
K2	Outlet	DN300PN10		
K3	Overflow	DN300PN10		
K4	Solids Outlet	220x610	220x650	220x650
K5	Wash Installation	G1½"		

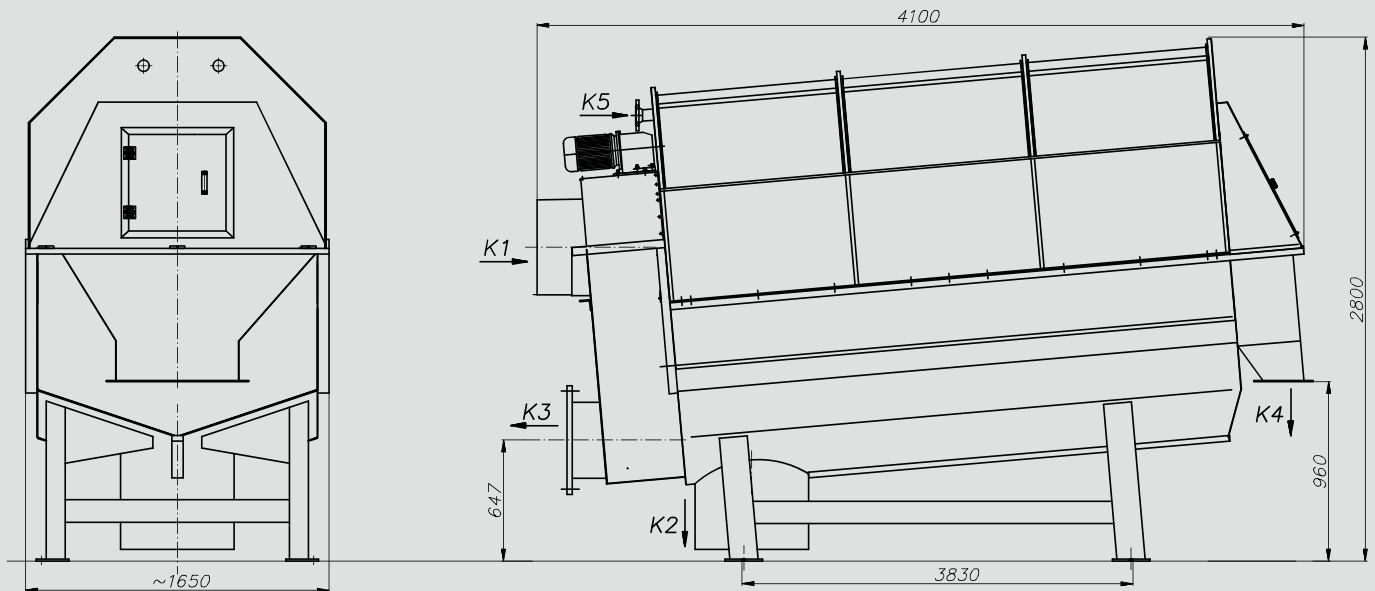


Approximate capacities for water with impurity content of no more than 200mg / l at a given slot.

Slot s = ___ [mm]						
Type						
IRS 900	0.25	0.5	0.75	1.0	1.5	2.0
1500	120	220	310	380	490	570
2000	160	300	410	520	670	770
2400	190	360	490	620	790	910

Rotary Drum Screen Internally Fed Type (IRS)

3. IRS 1230



Basic dimensions for IRS 12-300		
Position	Purpose	Dimension
K1	Inlet	∅ 506x3
K2	Outlet	∅ 606x3
K3	Overflow	DN50PN16 acc. to DIN2576
K4	Solids Outlet	216x655
K5	Wash installation	DN50PN16 acc. to DIN2576



Each connection locations and sizes can be modified to suit each customers individual requirements.



Subject: Date:

Contact details

Company:

Technical Contact: Buying Contact:

Address/Street: Post code: City / Country:

Tel/Fax: E-mail / Website:

Basic information

Preferred machine: Rotary drum screen with internal inflow (IRS) Parabolic rundown screen (PRS)
 Rotary drum screen with external inflow (ERS)

Filter's selectivity [mm]

Filtered medium:

Cleaning system: Run by the operator
 Full automatic
 Not required

Device using currently : Selectivity of using device

Pump in installation : No (gravity fed)
 Yes (parameters)

Description of the filtration's problem

Medium parameters and conditions of buildings

Flow capacity [m³/h]: Min: Max: Inlet : Diameter [mm]: Kind of material:

Working pressure [BAR]: Min: Max: Outlet : Diameter [mm]: Kind of material:

Working temperature [C]: Min: Max: Ventilation pipeline: Diameter [mm]: Kind of material:

Surrounding temperature [C]: Min: Max: Overflow pipeline : Diameter [mm]: Kind of material:

.....
Date / authorized person's signature / company's stamp



**Head Office and Works: Ava House, 1 Hill Court,
Aurillac Way, Retford, Nottinghamshire, DN22 7PX.**

Tel: +44 (0) 1777 710 710 Fax: +44 (0) 1777 710 810

Email: info@gaptechnology.co.uk Website: www.gaptechnology.co.uk